

تم تحميل وعرض المادة من

منهجي

mnhaji.com



موقع منهجي منصة تعليمية توفر كل ما يحتاجه المعلم
والطالب من حلول الكتب الدراسية وشرح للدروس
بأسلوب مبسط لكافة المراحل التعليمية وتوزيع
المناهج وتحضير وملخصات ونماذج اختبارات وأوراق
عمل جاهزة للطباعة والتحميل بشكل مجاني

حمل تطبيق منهجي ليصلك كل جديد



Student's Name :

class:

.....\ 5 marks

1-Read the following passage and answer the questions below:

Ali and his father went to a garage sale early on Saturday morning. The garage sale was near their house. They saw many old things like toys, books, and clothes. Ali looked at everything carefully. He found a small red toy car and showed it to his father. His father asked the seller for the price and bought the toy because it was cheap. Ali also saw old storybooks and helped his father choose one. . Ali felt happy and enjoyed spending time with his father.

A.Choose the correct answer.

1-Where did Ali and his father go?		
a-museum	b-bank	c- garage sale
2- What day did they go to the garage sale?		
a- on Saturday	b-on Monday	c-on Sunday
3- They saw many old things like, books, and clothes.		
a- toys	b-football	c-cars

B. Put (✓) or (X)

- 1- The garage sale was near their house. ()
2- The toy car was very expensive.()

.....\ 5 marks

2-Choose the correct answer.

1- She studied in London, she?	a- didn't	b-aren't	c- doesn't
2- Sara should..... the doctor.	a- saw	b- seen	c-see
3- You must at the traffic light.	a- stops	b-stopping	c-stop
4- Omar drives	a- slow	b- slowly	c-slows
5- Don't your car there.	a- parks	b- park	c- parking

3-Do as shown between brackets.

(use adverb of manner)

a- They are fast runner.
.....

(reorder)

a- Why\ we \ order \a pizza \ don't \ ?
.....

.....\ 2 marks

.....\ 4 marks

4- write the correct word under each picture (windshield wiper – hose – saw - trunk)



.....

.....

.....

.....

.....\ 2 marks

5- Choose the correct answer.

- 1- Three children born at the same time : (baby – child – triplets).
- 2- Study and research : (investigate – trend – heredity)

6. Choose the missing letter.

- 1- She was wearing a bei...e dress. (s – g – z)
- 2- You must obey the roadigns. (q – s – u)

.....\ 2 marks

7- write the missing letter



.....ot



s.....ord



Your teacher:



نموذج الإجابة

English Language
3rd Intermediate Grade
1st period Exam
.....\20

نموذج الحل

قناتي على التلغرام
Asma's world



.....\ 5 marks

1-Read the following passage and answer the questions below:

Ali and his father went to a garage sale early on Saturday morning. The garage sale was near their house. They saw many old things like toys, books, and clothes. Ali looked at everything carefully. He found a small red toy car and showed it to his father. His father asked the seller for the price and bought the toy because it was cheap. Ali also saw old storybooks and helped his father choose one. . Ali felt happy and enjoyed spending time with his father.

A.Choose the correct answer.

1-Where did Ali and his father go?		
a-museum	b-bank	c- garage sale
2- What day did they go to the garage sale?		
a- on Saturday	b-on Monday	c-on Sunday
3- They saw many old things like, books, and clothes.		
a- toys	b-football	c-cars

B. Put (✓) or (✗)

- 1- The garage sale was near their house. (✓)
2- The toy car was very expensive.(✗)

.....\ 5 marks

2-Choose the correct answer.

1- She studied in London, she?	a- didn't	b-aren't	c- doesn't
2- Sara should..... the doctor.	a- saw	b- seen	c-see
3- You must at the traffic light.	a- stops	b-stopping	c-stop
4- Omar drives	a- slow	b- slowly	c-slows
5- Don't your car there.	a- parks	b- park	c- parking

3-Do as shown between brackets.

(use adverb of manner)

a- They are fast runner.
They run fast

(reorder)

a- Why\ we \ order \a pizza \ don't \ ?
Why don't we order a pizza?

.....\ 2 marks



.....\ 4 marks

4- write the correct word under each picture (windshield wiper – hose – saw - trunk)



trunk



hose



saw



Windshield wiper



.....\ 2 marks

5- Choose the correct answer.

- 1- Three children born at the same time : (baby – child – triplets).
- 2- Study and research : (investigate – trend – heredity)

6. Choose the missing letter.

- 1- She was wearing a bei...e dress. (s – g – z)
- 2- You must obey the roadigns. (q – s – u)

.....\ 2 marks

7- write the missing letter



pot



sword



Your teacher:



Total

المجموع	تحريري	شفهي
20	10	10

First Period Exam _ Second Term

Third Intermediate Grade

Name

Class

Comprehension

/ 2

Read the following then answer the questions:

Bobby Shafran started a new semester at Sullivan Community College in New York. The previous semester Eddy Galland was a student there. The two teens looked exactly alike. Another student confused Bobby with Eddy, and then he realized that the boys were probably brothers. That student introduced Bobby to Eddy. The two boys found out that they were in fact twins, born at the same time. The boys were orphans and grew up in two different families

A- Put (√) for true or (X) for false :

1. The previous semester Eddy was a student at Sullivan Community College .	()
2. The boys were orphans and grew up in the same family .	()

B- Choose the right answer:

1- Sullivan Community College is in _____.	London	New York	Washington	Tokyo
2- Bobby and Eddy were in fact _____.	teachers	friends	twins	cousins

Grammar

/ 2.5

Choose the right answer:

- | | | | | |
|---|---------------|------------|----------------|---------------|
| 1- You live in Dammam, _____? | A. aren't you | B. do you | C. don't you | D. doesn't he |
| 2 - _____ you coming with us? | A. Aren't | B. Don't | C. Haven't | D. Isn't |
| 3 - She didn't work in a school, _____? | A. didn't she | B. did she | C. doesn't she | D. does she |
| 4 - How did she walk? She walked _____. | A. slow | B. happy | C. quick | D. quickly |
| 5 - The adverb form of good is _____. | A. good | B. will | C. well | D. going |

A- Choose the best answer to fill in the blank:

1. Someone you don't know left a message on your _____ .			
book	cell phone	chair	school
2. _____ is a child who has lost his parents .			
Orphan	Twin	Confuse	Aunt
3. What do you use to clean the living room ?			
a sofa	a ladder	a vacuum cleaner	a wall
4- The _____ turns the car on.			
ignition	headlight	signal light	GPS

B- Put the right word under its picture:

pliers - hammer - seat belt - hose - break pedal



Choose the correct letter:

1. Was Ahmed able to fi_ the car?	l	x	k
2. she found a set of nice crystal gla_ses	s	d	v

Good luck

T.

نموذج الإجابة

Total

المجموع	تحريري	شفهي
20	10	10

First Period Exam _ Second Term

Third Intermediate Grade

نموذج إجابة

Comprehension

12

Read the following then answer the questions:

Bobby Shafran started a new semester at Sullivan Community College in New York. The previous semester Eddy Galland was a student there. The two teens looked exactly alike. Another student confused Bobby with Eddy, and then he realized that the boys were probably brothers. That student introduced Bobby to Eddy. The two boys found out that they were in fact twins, born at the same time. The boys were orphans and grew up in two different families

A- Put (√) for true or (X) for false :

1. The previous semester Eddy was a student at Sullivan Community College .	(<u>√</u>)
2. The boys were orphans and grew up in the same family .	(<u>X</u>)

B- Choose the right answer:

1- Sullivan Community College is in _____.	London	New York	Washington	Tokyo
2- Bobby and Eddy were in fact _____.	teachers	friends	twins	cousins

Grammar

موقع منهجي
mnhaji.com

Choose the right answer:


- You live in Dammam, _____?
A. aren't you B. do you C. **don't you** D. doesn't he
- _____ you coming with us?
A. **Aren't** B. Don't C. Haven't D. Isn't
- She didn't work in a school, _____?
A. didn't she B. **did she** C. doesn't she D. does she
- How did she walk? She walked _____.
A. slow B. happy C. quick D. **quickly**
- The **adverb** form of **good** is _____.
A. good B. will C. **well** D. going

A- Choose the best answer to fill in the blank:

1. Someone you don't know left a message on your _____ .			
book	cell phone	chair	school
2. _____ is a child who has lost his parents .			
Orphan	Twin	Confuse	Aunt
3. What do you use to clean the living room ?			
a sofa	a ladder	a vacuum cleaner	a wall
4- The _____ turns the car on.			
ignition	headlight	signal light	GPS

B- Put the right word under its picture:

pliers - hammer - seat belt - hose - break pedal

				
break pedal	seat belt	hose	pliers	hammer

Choose the correct letter:

1. Was Ahmed able to fi_ the car?	l	x	k
2. she found a set of nice crystal gla_ses	s	d	v

Good luck

T.

Name:..... Class:..... Mark:.....

✿ Reading comprehension ✿

..... /5 marks

Read the following passage and answer the questions below:

Mira and Lila were twin sisters who grew up in different families. They didn't meet until they were 42 years old.

When they finally met, they were surprised—they were both wearing the same clothes! As they talked, they found more similarities. They both loved painting, drank hot tea with lemon, and their cats had the same name. They laughed a lot together, so people called them "The Laughing Sisters."

1) Fill in the Blank: Fill in the blank with the correct words.

1. Mira and Lila were:		
a. friends	b. twin sisters	c. cousins
2. They grew up in:		
a different family	b. the same family	c. the same city
3. How old were they when they met?		
a. 20	b. 32	c. 42

2) Choose(✓) or (×)

1. They both liked hot tea with lemon. ()
2. They had dogs with the same name. ()

✿ Grammar ✿

..... /7 marks

2) Choose the correct

1. They aren't from here, _____ they?	are	is	aren't
2. Ahmed should _____ healthy food.	eat	ate	eating
3. He brushed his teeth this morning, _____ he?	did	don't	didn't
4. You _____ stop at the traffic lights.	must	should	would
5. My father is a hard worker. He works _____.	hards	hard	hardly

1) Write the correct answer.

1. Tariq drives under the speed limit. He drives _____(slow)
2. order / some/ Let's / food _____ . **(reorder)**

❁ Vocabulary ❁

...../6 marks

1) Match the following.

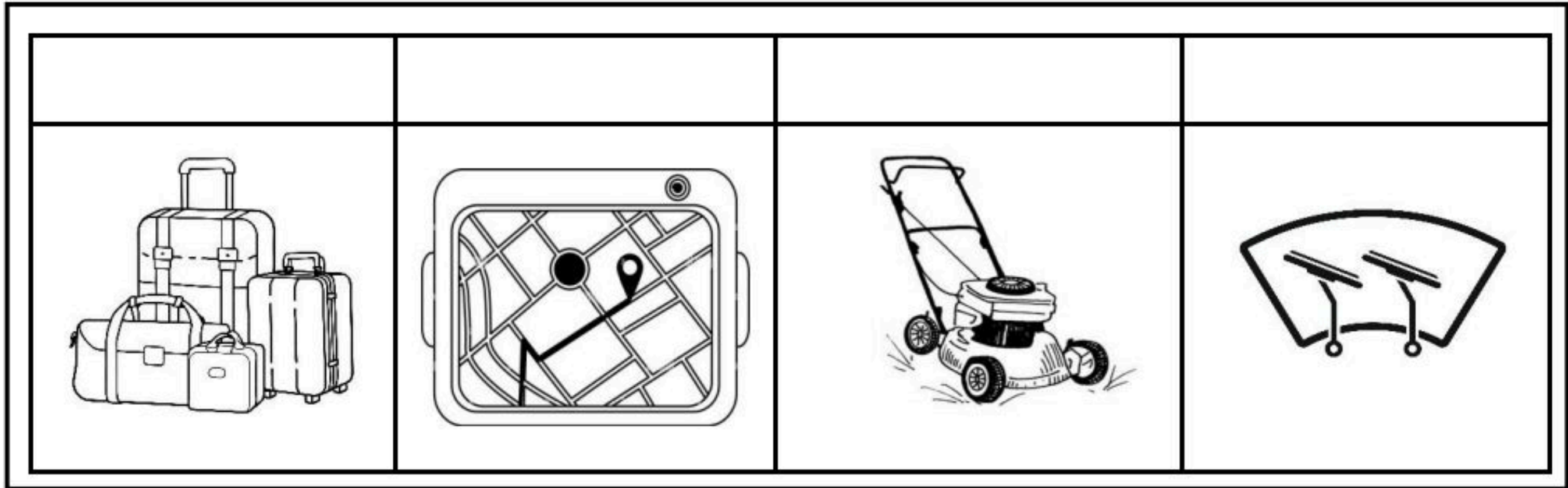
1. cleaning		lights
2. steering		frying pan
3. signal		wheel
4. cooking		mob

2) Choose the correct answer:

1. A child who has lost his parents. [orphan/boy/kid]
2. Three children were born at the same time. [brothers/friends/triplets]
3. We use it to slow or stop the car. [dashboard/brake pedal/gas pedal]
4. _____ and broom are used for cleaning. [pot/fan/hose]

3) Write the correct words under each picture.

Windshield/Lawn mower/GPS/Luggage



❁ Orthography ❁

2 marks

1) Choose the correct letter.

1. You should dri__e carefully. (v – f - k)
2. We use a saw and ham__er for repairing. (n – m - l)
3. You must obey the road si__ns. (g – c - q)
4. I met my best friend by coi__cidence. (m – h – n)

❁ With my best wishes ❁

نموذج الإجابة

English Language
3rd Intermediate Grade
1st period Exam

Name:.....

Class:.....

Mark:.....

✿ Reading comprehension ✿

..... /5 marks

Read the following passage and answer the questions below:

Mira and Lila were twin sisters who grew up in different families. They didn't meet until they were 42 years old.

When they finally met, they were surprised—they were both wearing the same clothes! As they talked, they found more similarities. They both loved painting, drank hot tea with lemon, and their cats had the same name. They laughed a lot together, so people called them "The Laughing Sisters."

1) Fill in the Blank: Fill in the blank with the correct words.

1. Mira and Lila were:		
a. friends	b. twin sisters	c. cousins
2. They grew up in:		
a different family	b. the same family	c. the same city
3. How old were they when they met?		
a. 20	b. 32	c. 42

2) Choose (✓) or (✗)

1. They both liked hot tea with lemon. (✓)

2. They had dogs with the same name. (✗) ✓

✿ Grammar ✿

..... /7 marks

2) Choose the correct

1. They aren't from here, _____ they?	are	is	aren't
2. Ahmed should _____ healthy food.	eat	ate	eating
3. He brushed his teeth this morning, _____ he?	did	don't	didn't
4. You _____ stop at the traffic lights.	must	should	would
5. My father is a hard worker. He works _____.	hards	hard	hardly

1) Write the correct answer.

1. Tariq drives under the speed limit. He drives slowly (slow)

2. order / some / Let's / food Let's order some food. (reorder)



❁ Vocabulary ❁

...../6 marks

1) Match the following.





1. cleaning	3	lights
2. steering	4	frying pan
3. signal	2	wheel
4. cooking	1	broom

2) Choose the correct answer:

1. A child who has lost his parents. **[orphan/boy/kid]**
2. Three children were born at the same time. **[brothers/friends/triplets]**
3. We use it to slow or stop the car. **[dashboard/brake pedal/gas pedal]**
4. _____ and broom are used for cleaning. **[pot/fan/hose]**

3) Write the correct words under each picture.

Windshield/Lawn mower/GPS/Luggage

luggage	GPS	Lawn mower	wind shield
			

❁ Orthography ❁

2 marks

1) Choose the correct letter.

1. You should dri__e carefully. **(v - f - k)**
2. We use a saw and ham__er for repairing. **(n - m - l)**
3. You must obey the road si__ns. **(g - c - q)**
4. I met my best friend by coi__cidence. **(m - h - n)**



I. Comprehension:

Read the passage to answer the questions below:

Ali has a scooter. His scooter is green. His uncle gave him the scooter on his 9th birthday as a present. Ali loves it so much! Every Saturday, Ali and his brother go to the park nearby their house. He rides the scooter while his brother rides his bike. They have so much fun at the park.

A- Choose the correct answer:

- 1- At the weekend, Ali goes to the
 - a- toy shop
 - b- park
 - c- school
- 2- On Ali's birthday, his gave him a gift.
 - a- mother
 - b- brother
 - c- uncle

B- Check (T) or (F) :

- 1- Ali's brother has a scooter. ()
- 2- Ali is 8 years old. ()

II. Grammar:

A- Choose:

- 1- Let's (**go – went – going**) to the beach this afternoon.
- 2- She ate a burger, (**don't she – doesn't she – didn't she**)?
- 3- Mona is a good cook. She cooks (**good – well – better**).
- 4- You (**must – mustn't – shouldn't**) listen to your teacher.

B- Do as shown between brackets:

- 1- Why don't we have a garage sale?
..... (Refuse the suggestion)
- 2- (Report the requests and commands)
 - a- Nada: "Clean the room".
.....

III. Vocabulary:

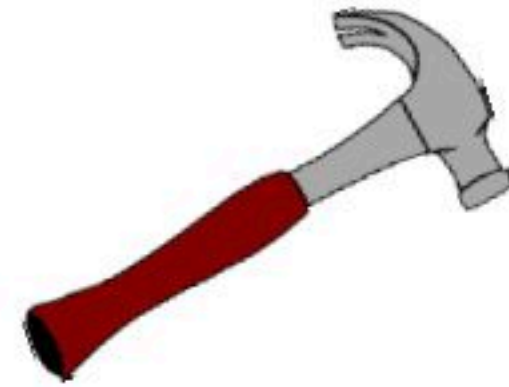
A- Classify the words:

knife – vacuum cleaner – stop

Things used for cleaning	Things used for cooking	Traffic signs

B- Write the words under the pictures:

ignition – broom – rearview mirror – hammer



IV. Orthography:

A- Choose the correct missing letters:

1- They have a lot of **anti__ue** furniture in their house.

a- c	b- k	c- q
------	------	------

2- We use a **fo__k** to eat food.

a- l	b- r	c- c
------	------	------

3- He was arrested for driving without a **licen__e**.

a- c	b- s	c- z
------	------	------

1- We must **o__ey** the road signs.

a- b	b- d	c- p
------	------	------

Good Luck ☺

Ms. Tahani Al-Ghamdi



I. Comprehension:

Read the passage to answer the questions below:

Ali has a scooter. His scooter is green. His uncle gave him the scooter on his 9th birthday as a present. Ali loves it so much! Every Saturday, Ali and his brother go to the park nearby their house. He rides the scooter while his brother rides his bike. They have so much fun at the park.

A- Choose the correct answer:

1- At the weekend, Ali goes to the

a- toy shop

b- **park**

c- school

2- On Ali's birthday, his gave him a gift.

a- mother

b- brother

c- **uncle**

B- Check (T) or (F) :

1- Ali's brother has a scooter. (**F**)

2- Ali is 8 years old. (**F**)

II. Grammar:

A- Choose:

1- Let's (**go** – went – going) to the beach this afternoon.

2- She ate a burger, (**don't she** – doesn't she – **didn't she**)?

3- Mona is a good cook. She cooks (**good** – **well** – better).

4- You (**must** – mustn't – shouldn't) listen to your teacher.

B- Do as shown between brackets:

1- Why don't we have a garage sale?

Sorry, I can't.

(Refuse the suggestion)

2- (Report the requests and commands)

a- Nada: "Clean the room".

Nada told me to clean the room.

III. Vocabulary:

A- Classify the words:

knife – vacuum cleaner – stop

Things used for cleaning	Things used for cooking	Traffic signs
vacuum cleaner	knife	stop

B- Write the words under the pictures:

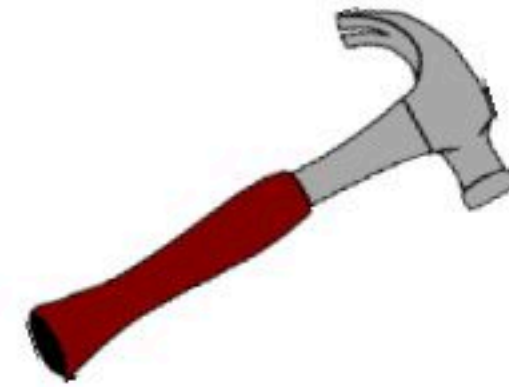
ignition – broom – rearview mirror – hammer



rearview mirror



ignition



hammer

IV. Orthography:

A- Choose the correct missing letters:

1- They have a lot of **anti__ue** furniture in their house.

a- c	b- k	c- q
------	------	-------------

2- We use a **fo__k** to eat food.

a- l	b- r	c- c
------	-------------	------

3- He was arrested for driving without a **licen__e**.

a- c	b- s	c- z
------	-------------	------

1- We must **o__ey** the road signs.

a- b	b- d	c- p
-------------	------	------

Good Luck ☺

Ms. Tahani Al-Ghamdi



I. Comprehension:

Use the following word bank to write a paragraph about what you are learning to do.

WORD BANK: (year – speak – alphabet – conversation – understand – fluently)

II. Grammar:

A- Choose:

- 1- Let's (**go – went – going**) to the beach this afternoon.
- 2- He will (**was able to – were able to – be able to**) late.
- 3- She ate a burger, (**don't she – doesn't she – didn't she**)?

B- Do as shown between brackets:

- 1- Why don't we have a garage sale?
..... (Accept the suggestion)
- 2- They aren't football players,? (Complete the tag question)

III. Vocabulary:

A- Write the words under the pictures:

saw – knife – teddy bear – luggage – hammer



B- Fill in the blank with the correct words in the box:

heredity – lawn mower – talkative

- 1- My friend is a person.
- 2- We need a to cut the grass.

IV. Orthography:

A- Choose the correct missing letters:

- 1- They have a lot of **ant__que** furniture in their house.

a- i

b- o

c- u

- 2- We use a **f__rk** to eat food.

a- u

b- o

c- a

- 3- You shouldn't use the **ho__e** to wash your car.

a- c

b- s

c- z

- 4- The best way to open it is with **p__iers**.

a- r

b- n

c- l

- 5- He is drinking with a **c__p** and saucer.

a- u

b- a

c- k

- 6- She is sweeping with a **b__oom**.

a- l

b- r

c- t

Good Luck ☺

Ms. Tahani Al-Ghamdi

I. Comprehension:

Use the following word bank to write a paragraph about what you are learning to do.

WORD BANK: (year – speak – alphabet – conversation – understand – fluently)

Varied

II. Grammar:

A- Choose:

- 1- Let's (**go** – went – going) to the beach this afternoon.
- 2- He will (**was able to** – were able to – **be able to**) late.
- 3- She ate a burger, (**don't she** – doesn't she – **didn't she**)?

B- Do as shown between brackets:

- 1- Why don't we have a garage sale?
That's a good idea. or **OK.** or **Sure.** (Accept the suggestion)
- 2- They aren't football players, **are they?** (Complete the tag question)



III. Vocabulary:

A- Write the words under the pictures:

saw – knife – teddy bear – luggage – hammer



hammer



knife



saw



teddy bear

B- Fill in the blank with the correct words in the box:

heredity – lawn mower – talkative

- 1- My friend is a **talkative** person.
- 2- We need a **lawn mower** to cut the grass.

IV. Orthography:

A- Choose the correct missing letters:

- 1- They have a lot of ant__que furniture in their house.

a- i

b- o

c- u

- 2- We use a f__rk to eat food.

a- u

b- o

c- a

- 3- You shouldn't use the ho__e to wash your car.

a- c

b- s

c- z

- 4- The best way to open it is with p__iers .

a- r

b- n

c- l

- 5- He is drinking with a c__p and saucer.

a- u

b- a

c- k

- 6- She is sweeping with a b__oom.

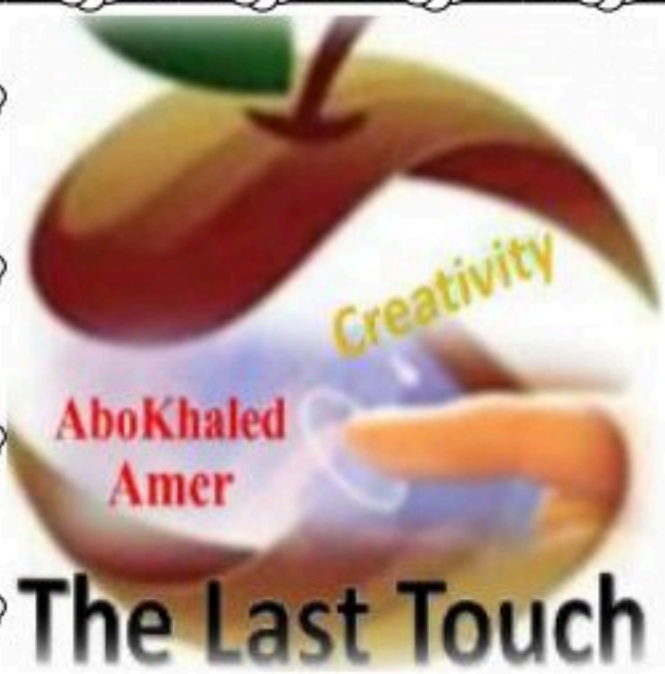
a- l

b- r

c- t

Good Luck ☺

Ms. Tahani Al-Ghamdi



Second Term 1447 H First Session Test

اسم الطالب: _____ الصف: الثالث المتوسط

Write the correct word under each picture: (6 M)

1. hammer 2. No Parking 3. ladder 4. knife 5. Stop 6. gas tank 7. fish



()



()



()



()



()



()

Match the following: (6M)

1. I'm doing 60.	----	a. board
2. steering	----	b. a way to respond to an introduction.
3. dash	----	c. wheel
4. How do you do?	----	d. a machine to cut lawn.
5. lawn mower	----	e. I'm driving 60 kilometers per hour.
6. pot	----	f. something which you use to cook food.
	----	g. play football.

Choose the correct answer: (6M)

1. She doesn't come, (doesn't she – she doesn't – does she – she does)?
2. He (have – are – were – is) able to clean the room.
3. Tomorrow, I (was – am – will – have) be able to come.
4. You (must – mustn't – is must – should) stop at the traffic lights.
5. You (should – shouldn't – is should – must) eat when you're driving.
6. She plays (quiet – quietly – quietness – quieter).

Supply the missing Letter: (2M) (g - o - s - t)



spo__n



sea__ belt



ho__e



dan__er

End of Questions

https://t.me/Super_Goal123

Reading Comprehension

Ali was excited. He was finally able to buy his first car. He found a used car for sale online. It was a good deal, wasn't it? He asked the seller many questions. He decided to buy it. When he brought the car home, his father smiled. 'Congratulations,' he said. 'Now we must talk about the rules. First, you should always drive carefully. Second, you must not use your phone while driving. It's dangerous and against the law. Third, you shouldn't drive late at night with your friends for the first few months. Aren't these fair rules?' Ali agreed. He was just happy to have a car. He knew he had to be a responsible driver.

Mark True or False:

- 1 Ali bought a brand new car. A True B False
- 2 Ali's father told him he must not use his phone while driving. A True B False
- 3 Ali's father said he should never drive with his friends. A True B False

Choose the correct answer:

4 What was the first piece of advice Ali's father gave him?

- A To not use his phone. B To always drive carefully.
- C To not drive at night. D To get a good deal.

Match the word to the picture

5 

6 

7 

8 

A ladder B steering wheel C vacuum cleaner D stop sign

Choose the correct answer

9 It's a great day for a garage sale, _____?

- A isn't it B is it C doesn't it D does it

10 When you are driving, you _____ wear your seat belt. It's the law.

- A must B should C can D might

11 _____ you coming with us to the sale? We are leaving now.

- A Aren't B Don't C Weren't D Isn't

12 My father is a careful driver. He always drives _____.

A | carefully

B | careful

C | careless

D | care

13 If I sell my old bike, I will _____ buy a new one.

A | be able to

B | can

C | could

D | able

14 The weather is bad. You _____ drive too fast.

A | shouldn't

B | must not

C | don't have to

D | should

